

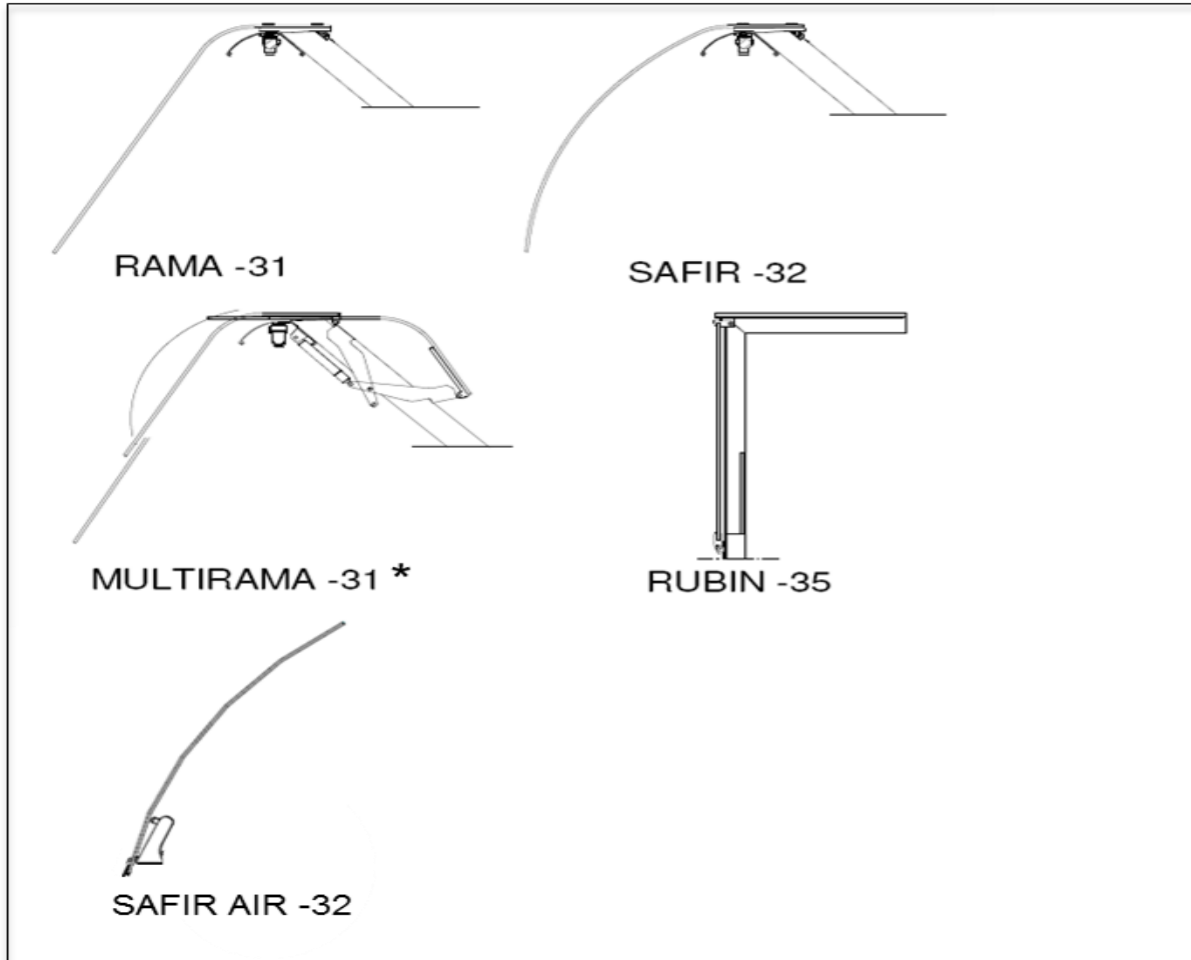
Viessmann Refrigeration Solutions

Remote Serve Over: TectoServe SL1 Gusto

Henk Vroom
Viessmann Refrigeration Solutions Benelux

We care for cold

Offering: Glass Unit Types



Front glass options for self service counters

Front glass options for serve over counters

* Multirama glass can be slided to the front and to the back

SL1 Gusto angles: temperature classes and recommendations

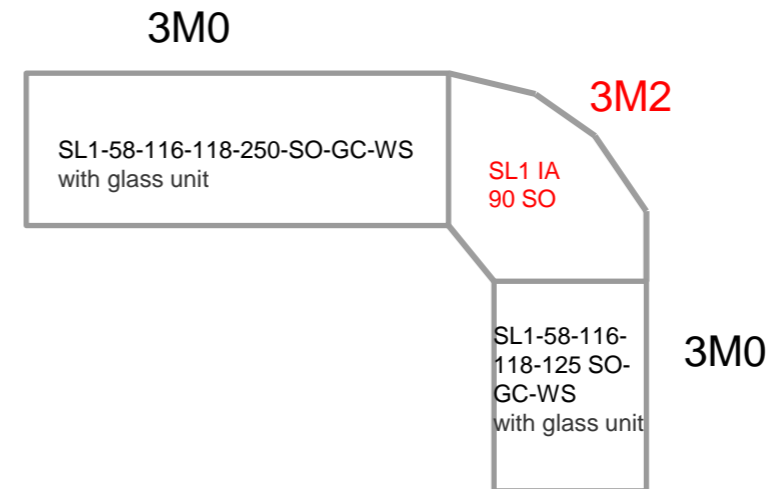
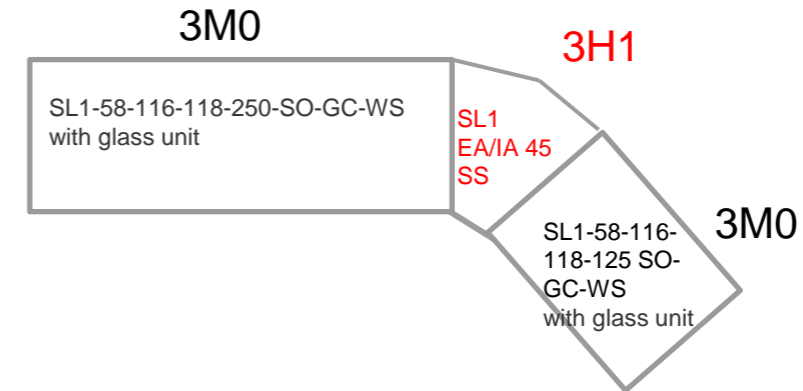
Important notes about SL1 Gusto EA/IA angle usage

Open angle: 3H1

- Using open self-service (SS) angle with external or internal angle 45/90 is not recommended for fish, meat, milk or any fresh food preservation in any circumstances.
- Open angles are suitable for refreshments, canned food and dry groceries.

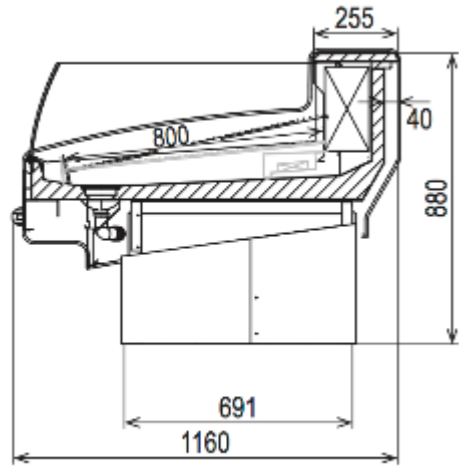
Angle with glass units: 3M2

- Angle EA/IA needs to be installed in a middle of line for ensuring the temperature stability.
- Ice crush/ice bed supports the temperature level and gives visual effectiveness
- Using angle in the end of line, turns the angle cabinet be suitable for refreshments, canned food and dry groceries.

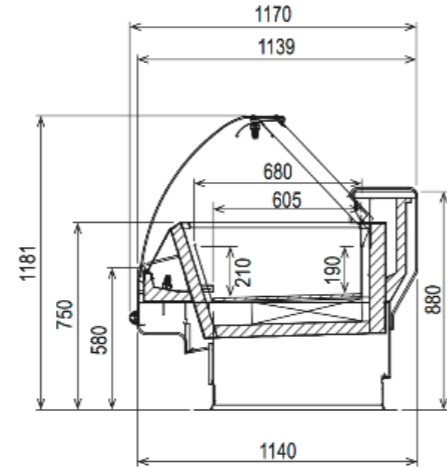


TectoServe SL1 Gusto cross-drawings

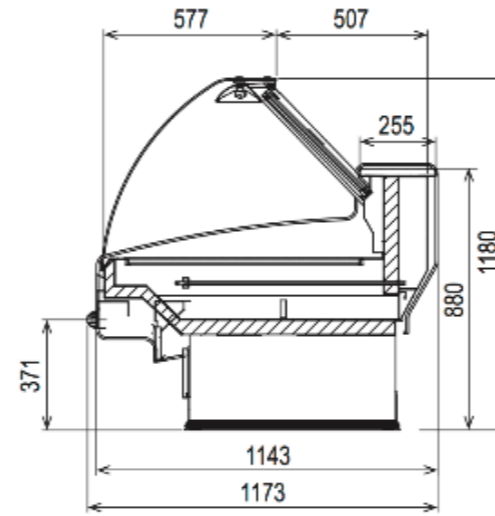
TectoServe_SL1_58-116-88-SF-SR



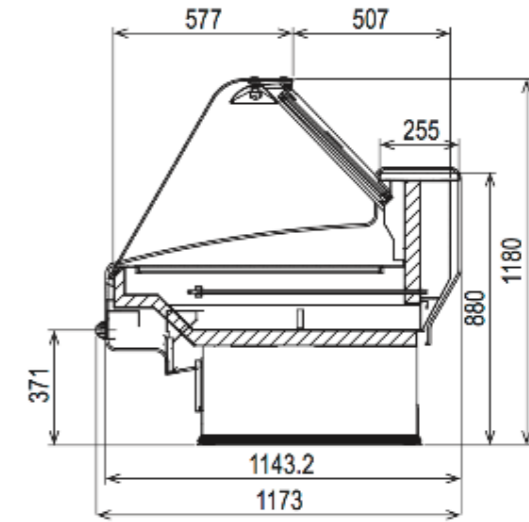
TectoServe_SL1_58-116-118-FC_SR



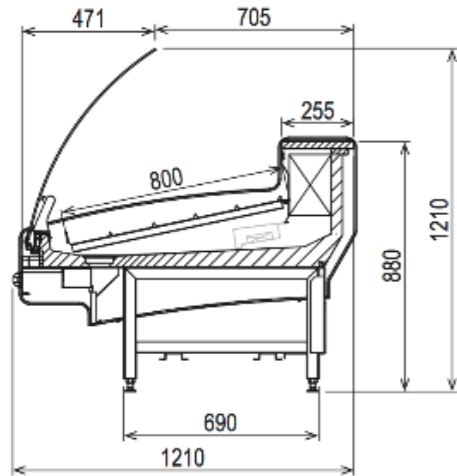
TectoServe_SL1_58-116-118-H-SR



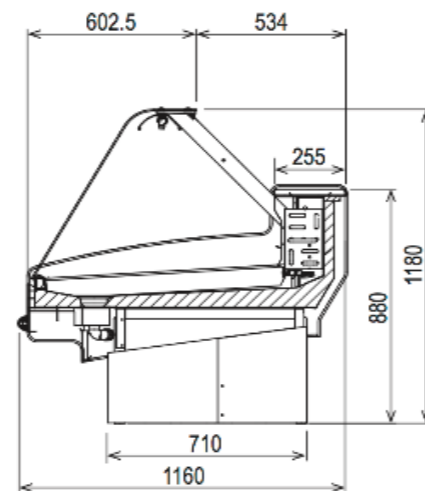
TectoServe_SL1_58-116-118-H-RM



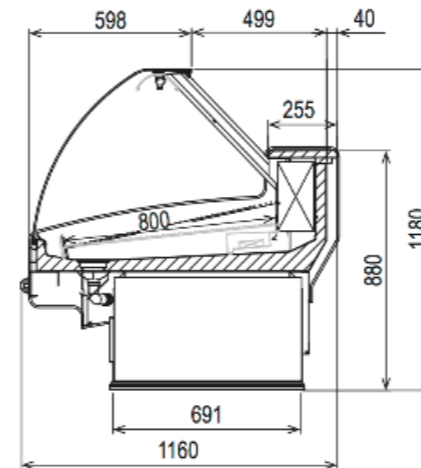
TectoServe_SL1_58-116-118-SO-SA



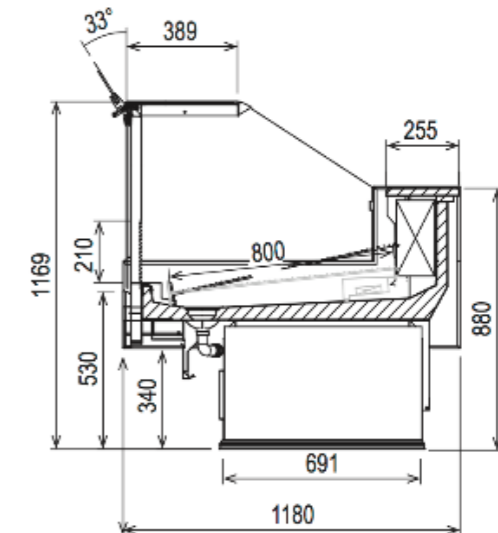
TectoServe_SL1_58-116-118-SO-RM



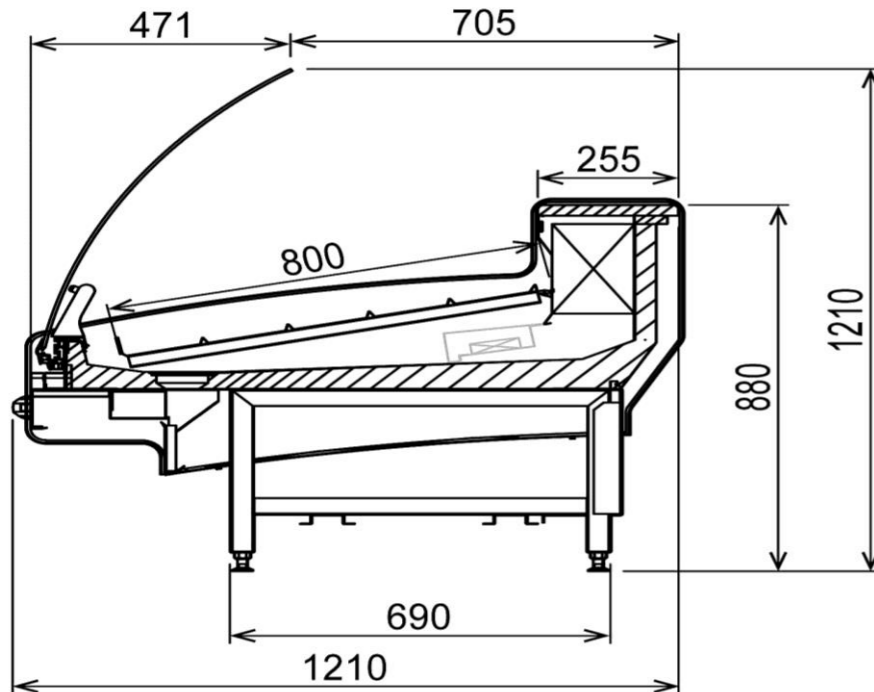
TectoServe_SL1_58-116-118-SO-SR



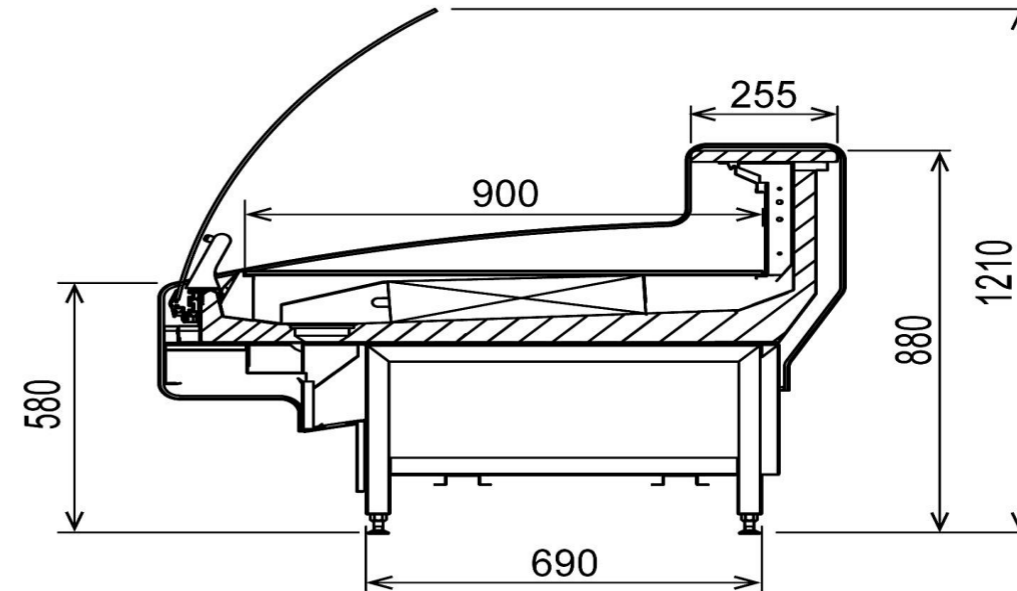
TectoServe_SL1_58-116-118-SO-RB



Display area dimension options



Normal 800 mm



BED 900

Only available with glass types Safir Air and Rubín

Offering: Display Accessories

Bottom plates

- For selling products without ice

Ice flake grid

- For selling products on ice

Bottom grids

- If selling products without ice, open spaces will disturb the performance (recommended to use some trays below products)

Wooden grill

- Typically used for cheese. Always require 1-Step bottom plates under the grill

Bowl frames

- Used together with standard size GN trays



Bottom plate STS & 2-Step



Bottom plate STS & 3-Step



Bottom plate STS & 1-Step



Ice flake grid



Bottom grid STS & 1-Step



Bottom grid STS & 2-Step



Bottom grid STS & 3-Step



Wooden grill



Bowl frame & 2-Step

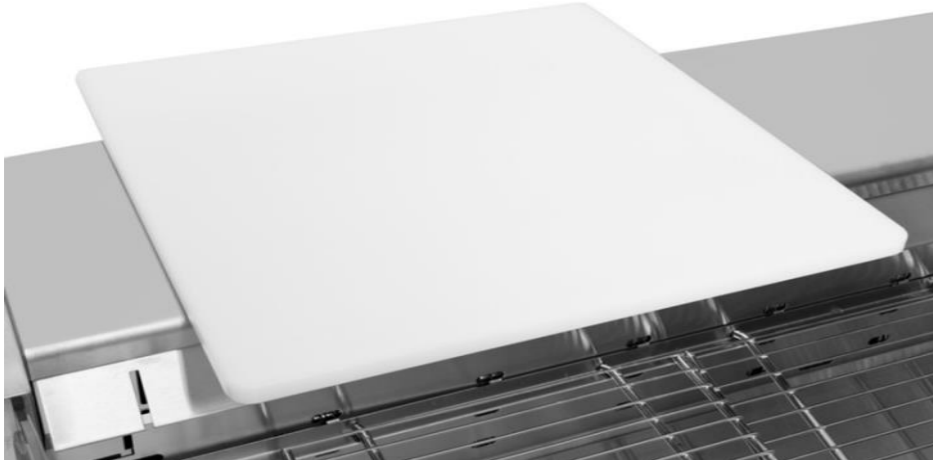


Bowl frame & 3-Step

Offering: Cutting boards

Cutting board (lengthwise x depthwise)

- 450 x 340 mm
- 270 x 350 mm
- 450 x 450 mm

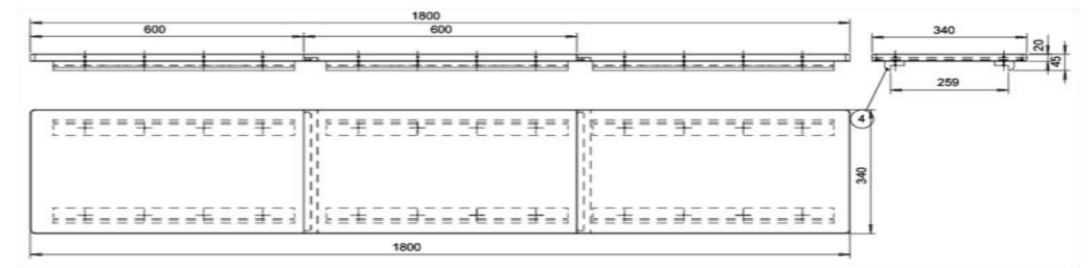


Extendable cutting board

Extension Part Qty	Cutting board length
None	1200 mm
1	1800 mm
2	2400 mm
3	3000 mm
4	3600 mm



Extendable cutting board with sliding lids



Extendable cutting board with 1 extensions part

Offering: Scale Stands

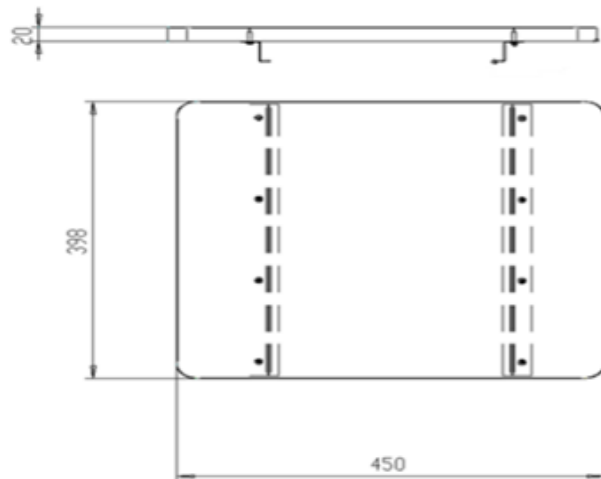
- Fixed scale stands:



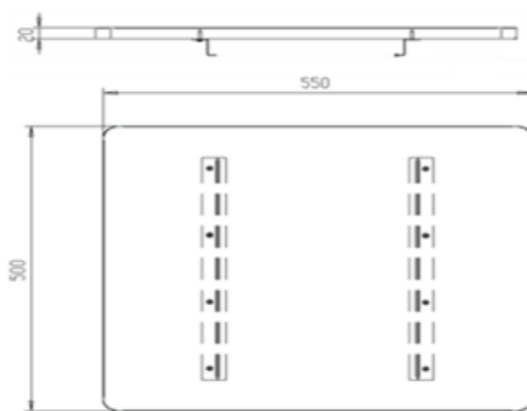
Bottom view



Top view

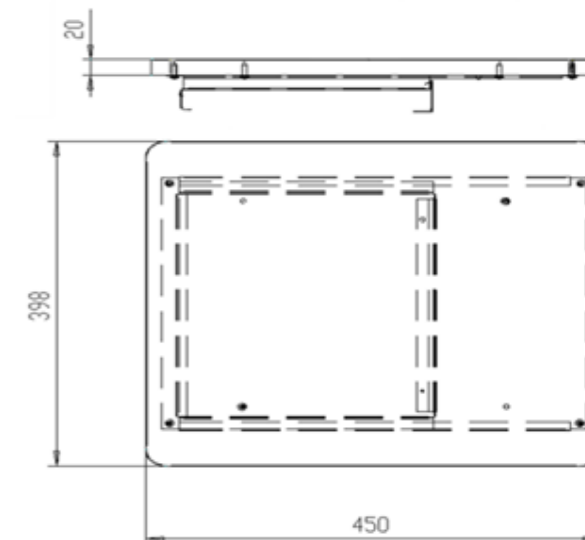


Fixed 450x400 mm



Fixed 550x500 mm

- Scale stands with sliding rack:

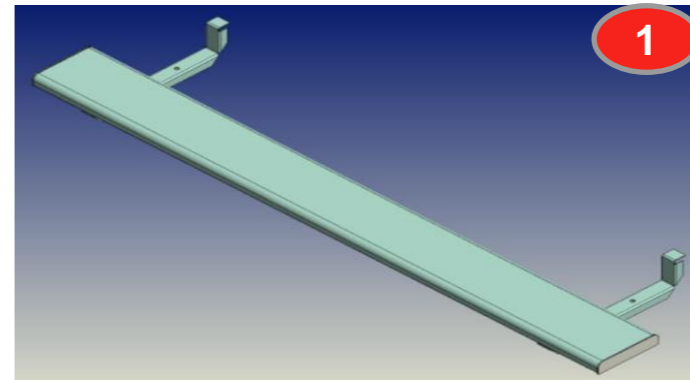


Offering

Other Accessories

Basket shelf (1)

An extra level mounted on the front covering that can be used by the store customer for laying down the shopping basket.



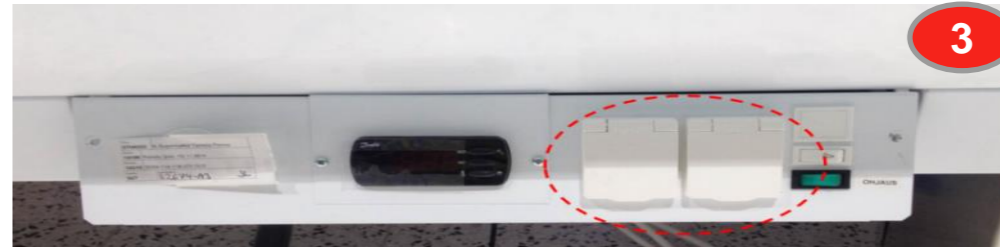
Paper bag holder (2)

Located on the rear side of the counter. The holder consists of two equal size pockets.



Power outlet sockets (3)

Two sockets in the electrical box behind the counter.



Glazier specific dividers (4)

Acrylic dividers shaped based on the glass unit type.



Glazier Specific Acrylic Divider Rama/Multirama

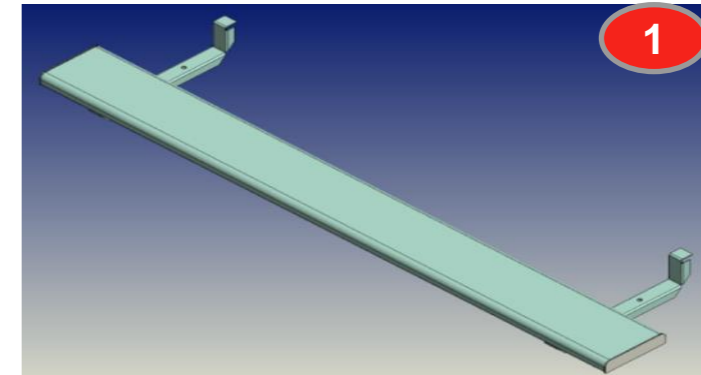


Glazier Specific Acrylic Divider Safir

Offering: Other accessories

Basket shelf (1)

- An extra level mounted on the front covering that can be used by the store customer for laying down the shopping basket.



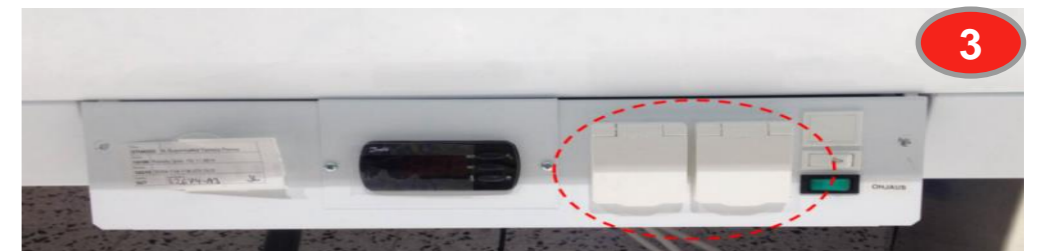
Paper bag holder (2)

- Located on the rear side of the counter. The holder consists of two equal size pockets.



Power outlet sockets (3)

- Two sockets in the electrical box behind the counter.



Glazier specific dividers (4)

- Acrylic dividers shaped based on the glass unit type.



Glazier Specific Acrylic Divider Rama/Multirama

Glazier Specific Acrylic Divider Safir